

Pendulum Mount VPN for Compact Ring-Torsion Load Cell RTN

- Mount for compact load cells RTN
- Suitable for highest accuracies
- Legal-for-trade
- Extremely rugged (stainless steel)
- Self-aligning
- Easy installation, maintenance-free



Application

Pendulum mounts VPN are specially designed for use with compact load cells of the RTN type. They are used where long life and highest measuring accuracy are required in severe environments.

Typical applications are road weighbridges and hopper scales.

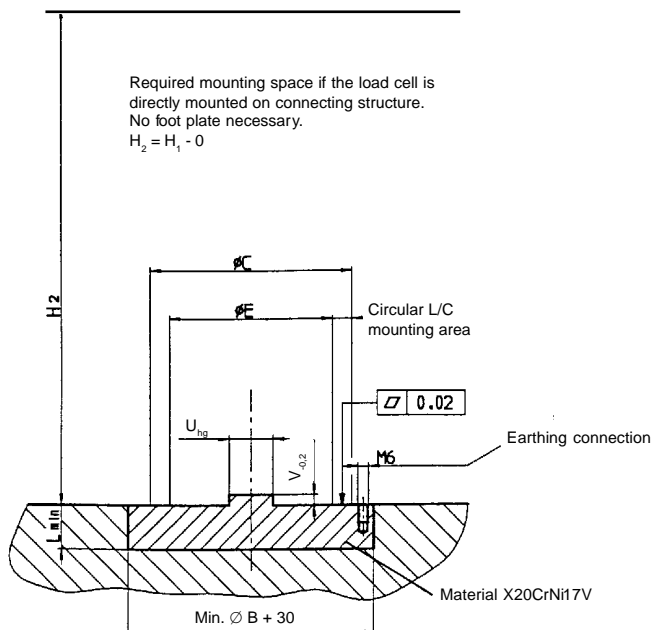
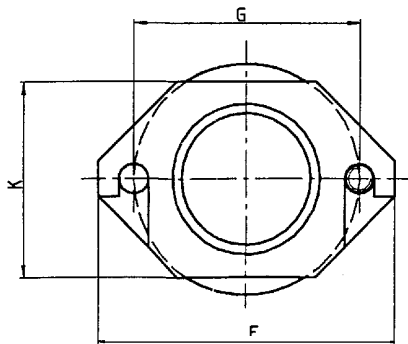
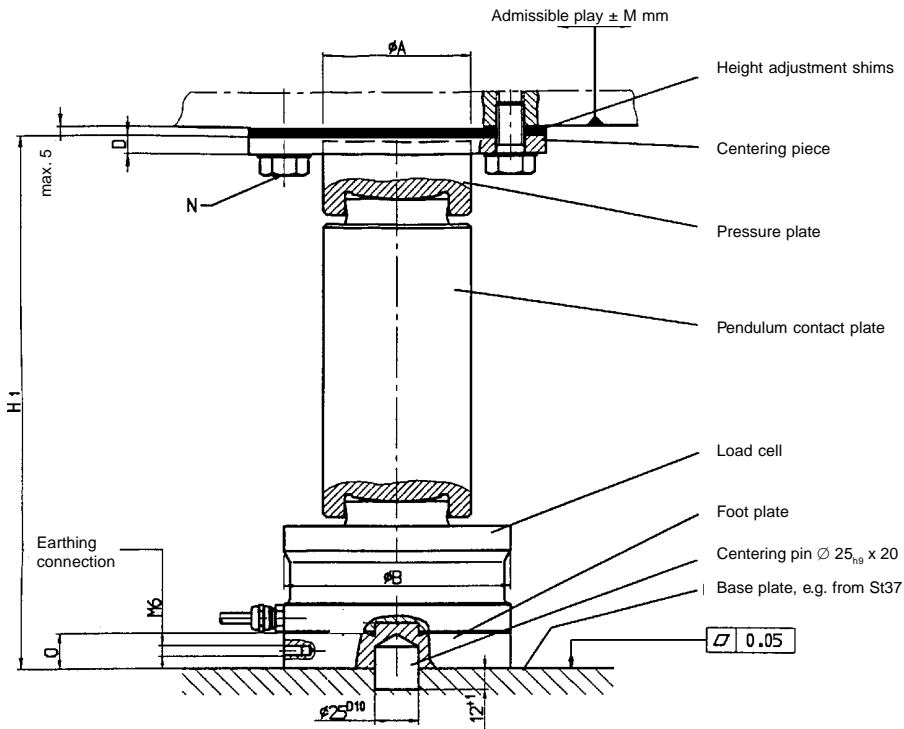
Construction

A complete VPN self-aligning mount consists of the pendulum contact plate, a pressure plate, the centering piece and height adjustment shims. The load cell can be mounted on supporting structures or on an optional foot plate. On rough ground, the foot plate provides optimum mounting surface.

Functions

The weight force to be measured is applied to the pendulum contact plate via the pressure plate down to the load cell. The pendulum contact plate protects the load cell from interfering lateral forces. The self-aligning function of this mount automatically returns the scale to its resting position after deflection. Depending on the local situation, the scale has to be equipped with movement limit stops.

Dimensions



- Pressure plate is secured through a centering piece screwed onto the connecting structure.
- Height is adjusted (max. 5 mm) with shims.
- Load cell is centered via a pin ($\varnothing 25$ mm).
- Optional foot plate is centered via a pin ($\varnothing 25$ mm, included in the delivery).
- Earthing connection is to be provided on connecting structure base plate (see installation drawing).

Type VPN	Rated Capacity t	Dimensions (mm)															
		A	B	C	D	E	F	G	H ₁	H ₂	K	L	M	N	O	U	V
1	1	35	60	65	4	50	90	68	128	113	60	15	3.5	M8x20	15	46	3
2.2	2.2	35	60	65	4	50	90	68	128	113	60	15	3.5	M8x20	15	46	3
4.7	4.7	35	60	65	4	50	90	68	145	130	60	15	3.5	M8x20	15	46	3
10	10	45	75	80	4	62	90	68	165	145	60	20	3.5	M10x20	20	25	6
15	15	45	75	80	4	62	90	68	175	155	60	20	4	M10x20	20	25	6
22	22	45	75	80	4	62	90	68	229	209	60	20	7	M10x25	20	25	6
33	33	58	95	100	6	78	120	90	272	252	80	25	7	M12x25	20	25	6
47	47	85	130	140	10	110	170	130	295	270	110	35	6	M16x30	25	25	6
68	68	85	130	140	10	110	170	130	337	300	110	40	7	M16x30	37	25	6
100	100	100	150	160	10	129	180	140	371	331	130	45	8	M16x30	40	25	6

Technical Data

Rated capacity	Weight with Load Cell	Weight of Foot Plate
1 t	1.1 kg	0.3 kg
2.2 t	1.1 kg	0.3 kg
4.7 t	1.4 kg	0.3 kg
10 t	2.5 kg	0.7 kg
15 t	2.7 kg	0.7 kg
22 t	3.7 kg	0.7 kg
33 t	6.3 kg	1.1 kg
47 t	14.0 kg	2.7 kg
68 t	15.4 kg	3.8 kg
100 t	22.3 kg	5.4 kg
Material	Stainless Steel	
Height adjustment	max. 5 mm	

Variants	Order No. without Foot Plate	Order No. with Foot Plate
VPN 1	D 725565.16 *)	D 725565.11 *)
VPN 2.2	D 725565.17 *)	D 725565.12 *)
VPN 4.7	D 725565.18 *)	D 725565.13 *)
VPN 10	D 725565.19 *)	D 725565.14 *)
VPN 15	D 725565.20 *)	D 725565.15 *)
VPN 22	D 725565.06	D 725565.01
VPN 33	D 725565.07	D 725565.02
VPN 47	D 725565.08	D 725565.03
VPN 68	D 725565.09	D 725565.04
VPN 100	D 725565.10	D 725565.05

(Load Cells are not included) *) Available from April 1998 and later



Notes:



SCHENCK PROCESS GmbH · D-64273 Darmstadt
Division Process Systems (BV2)

Tel. +49 61 51 32-10 28 · Fax +49 61 51 32-38 46

E-Mail: sales2.process@csd.de

Internet: <http://www.carlschenck.de>